

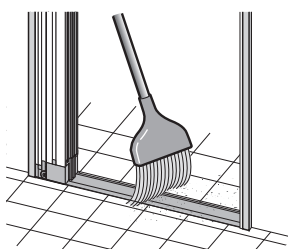
Thank you for purchasing Metaco Pleat Net Zipooh. Please read this instruction manual thoroughly before installing the product and keep this manual for future reference.

©METACO Inc.

### Regular Care

#### Maintenance

Clean and wipe around the bottom rail. Wipe away the sand, dust, debris and etc. This will protect the rail from the plastic wear, crack, etc and maintain the smooth movement. We ask you to clean every once in a while.

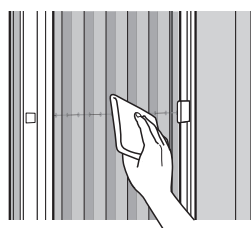


#### NOTICE

**Do not use lubrication spray.**  
Dust and debris may adhere and stick.

#### How to clean

Use a water damped cloth to wipe and clean the product. Read "**Wash and Clean**" in case the stain does not come off with damped cloth.



#### NOTICE

**Do not use detergent for cleaning the product.**

Color may change and damage the product. Do not use thinner and benzene.

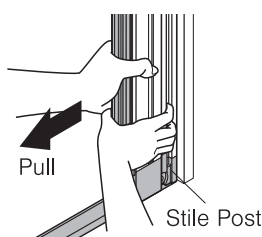
**Do not use wire brush or any steel bristle to rub and clean the product.**  
It may result in product damage. Use soft cloth to wipe out the dust and debris.

#### Remove the unit

You can remove the unit when out of season or wish to clean. Hold the stile post with both hands and pull towards the stop post.

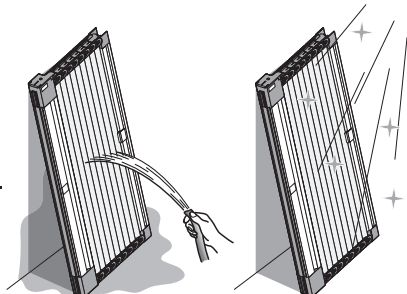
Unit will detach from the anchor plate. Slide slightly above from the ground and twist the unit on either side while pulling for removable.

After the unit is detached from the anchor plate, tilt it until the very top comes out of Top Rail.



#### Wash and Clean

1. Open the unit and lean it against the wall.
2. Clean and wipe the place where you are pouring the water on. Wipe it gently with a very soft brush.
3. After finish cleaning the unit, let it all dry before attaching the unit back.



### SAFETY CAUTION

For your own safety and damage to the property, this manual uses following symbols and indications. Please take a close attention and read the definition of each signs.

Failure to follow the operation may result in following.

**Warning** Improper use may result in death or serious personal injury.

**Caution** Improper use may result in personal injury or property damage.

Other symbols used in this manuals are defined as below.

You are not allowed to operate in described condition.

You must follow and operate as instructed.

**Warning** **Do not use any type of flame or fire near this product.**  
The product may catch a fire.

**Do not lean yourself or any object against the product and never push with force.**  
Product may come off and may result in a fall accident.

**Caution** **Retract the insect screen, close the door and window when the wind is strong.**  
Product may come off and break resulting in injury.

**Do not operate the product when the product is broken or not properly installed.**  
Product may come off and may result in a fall accident.

**Do not operate while hands are on the bottom rail or any place other than sliding bar.**  
Your hands or fingers may get caught during operation and result in injury.

**Caution** **Do not operate with strong force.**  
Product may be derailed and come off if operated with strong force and result in injury.

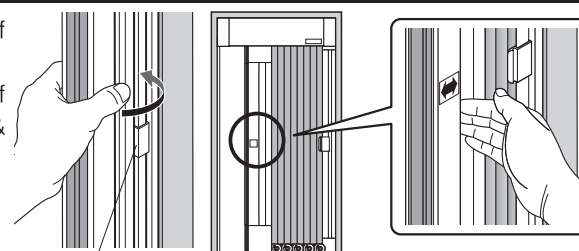
**Do not allow children to operate the product.**  
Hands and fingers may get caught with the product and result in injury. Do not let your children operate.

**Do not let animals get close to the product.**  
They may scratch the net and pull the wire which may result in product breakdown. Animals can also get caught and injure themselves by the product.

**Do not disassemble or modify the product.**  
Product may breakdown and not work properly. Any modification to the product will be out of warranty.

### Opening and closing the screen door

The hook of the Hook clip comes off by tilting slightly the Slide bar. Hold the groove around the center of the Slide bar and make the open & close operation.



Release the claw from the stile post.

**Caution** **Do not operate while hands are on the bottom rail or any place other than sliding bar.**  
Your hands or fingers may get caught during operation and result in injury.

**Do not operate with strong force.**  
Product may be derailed and come off if operated with strong force and result in injury.

### Attention

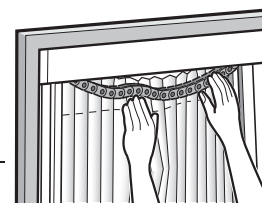
#### Caterpillars are sagging from the top.

When this product is used under windy and gusty conditions, the caterpillars may sag down.

Place back the caterpillars to its original position while holding the sliding bar.

Sliding bar may come off if you operate before placing the caterpillars back to its original position.

If you find the sliding bar coming down, remove the unit from the wall before placing the caterpillars back.



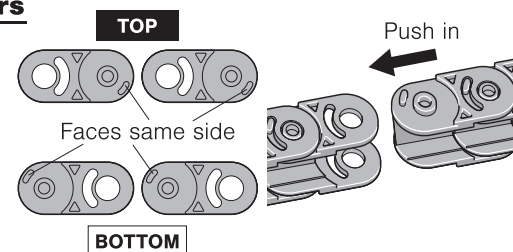
**Caution** **Retract the insect screen, close the door and window when the wind is strong.**  
Product may come off and break resulting in injury.

#### How to reconnect the caterpillars

Push in the caterpillars as shown in the figure.

You can easily reconnect by spreading the sides outwards.

Take close attention to the direction of caterpillars. Align the pin direction.

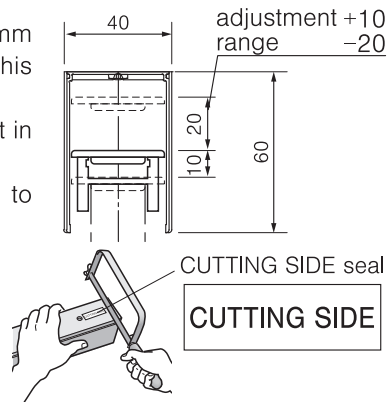


**Q The open-close movement is stiff and heavy.**

**A** Read "**Maintenance**" and clean the bottom rail and sliding bar. Dust and debris may affect the movement of the product. If you do not find any difference after cleaning, contact the local store you purchased the product.

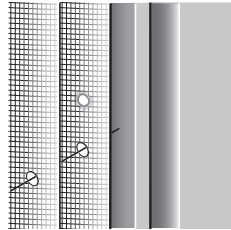
**Q We find out that opening size of installation site is not same with product size. Is this product adjustable?**

**A** This product has height adjustment range of -20mm and +10mm only. Adjustment can be done within this range. By cutting the top and bottom rail, you can install it in a narrow location. You can cut either side of rails. Make sure not to deform the rails when cutting it short.



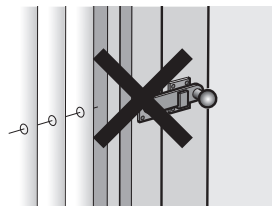
**Q A hole on pleated net is made inadvertently and wires are cut. What should I do?**

**A** Pleated net on Zipoooh is exchangeable. Contact the local store you purchased and order a new net ass'y. Read "**Replacing pleat net ass'y**" before placing your order.



**Q I damage my screen door and it does not open. Can I place a hook or lock on the product?**

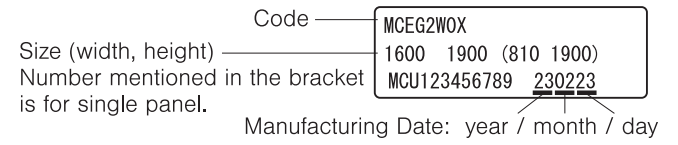
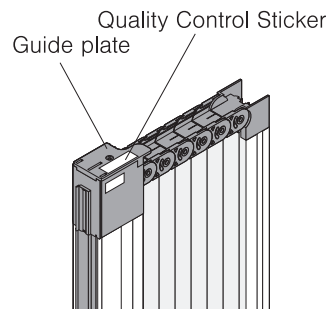
**A** Contact the local store you purchased for the damage. The dent may affect and interfere the movement of caterpillars. Do not modify the product. Do not place a hook or lock. This may also affect the movement of product and cause malfunction.



**Caution** **Do not disassemble or modify the product.** Product may breakdown and not work properly. Any modification to the product will be out of warranty.

**Replacing pleat net ass'y**

When you find the net is getting brittle and old, or accidentally slashed, you can replace it with a new pleated net ass'y. You will need the product code and size listed in the quality control sticker for purchasing a new pleat net ass'y. Quality control sticker can be found on top of the guide plate.



**Warranty**

**1. Warranty Period**

Warranty Period - 2 years from manufacturing date. Manufacturing date is listed in the quality control sticker.

**2. Warranty Guideline**

Please contact your local distributor for more information on warranty.

**3. Disclaimer**

1. Defect due to improper use and any modification to the product.
  2. Defect due to installation done in improper location. Installing to a location that requires higher specification.
  3. Defect due to reinstalling the product to different location.
  4. Defect due to natural disaster, such as fire, earthquake, flood, lightning, other acts of Gods.
  5. Defect caused by animals.
  6. Quality control sticker is not attached.
  7. Improper use of product and used other than intended purpose.
  8. Defect and damaged caused by fraudulent or illegal acts.
- Contact your local distributor for information on support and service or any concern on warranty.

**4. Supply and support on discontinued product.**

5 years after product is discontinued.

Please contact your local distributor for more information on after service and support. See product configuration for name of each components. Product design and specification are subject to change without notice.