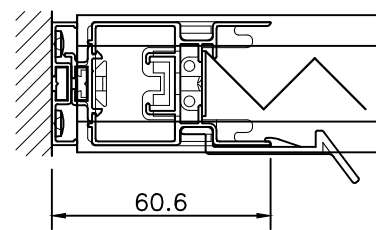
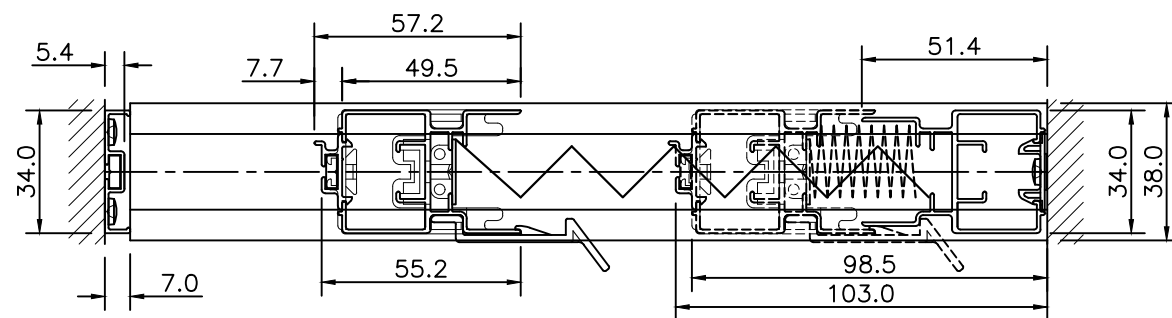
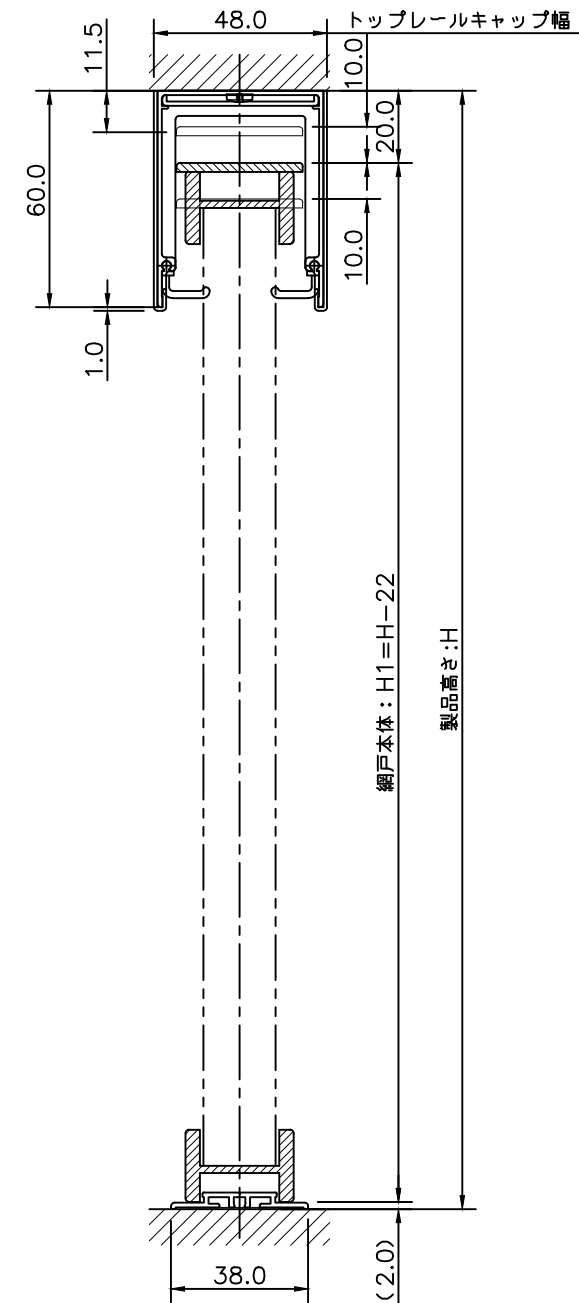


NUMBER	NAME	MATERIAL	CODE	FINISH	QUANTITY	REMARKS
--------	------	----------	------	--------	----------	---------



召し合せ部



**METACO inc.**  
 203 Nagatani Hill Plaza Roppongi, 7-3-8 Roppongi, Minato-ku, Tokyo, 106-0032 Japan  
 TEL 03-3403-9571 FAX 03-3403-6498

TITLE	タンデム 片引き (1枚建て仕様)	SALES	.....	DATE	.	検印	検印
	SCS 88L-MT01	DRAWING	SASAKI	DATE	2019.08.07		
SCALE	A1 1/1	CHECK		NO.	.		